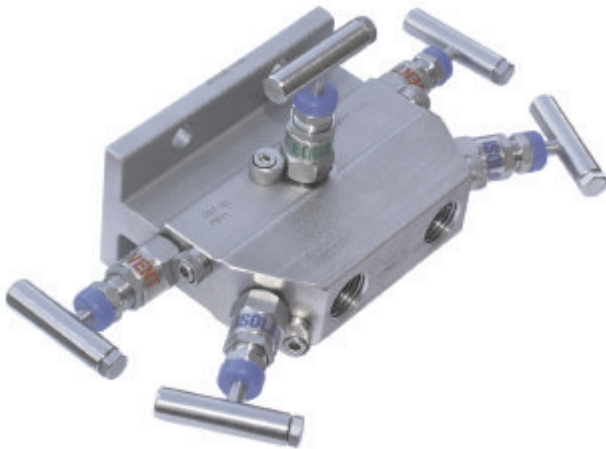


5VD Series

General Information

Direct Flange Mounted (T Section) 5 Valve Manifold 6,000 psi rated

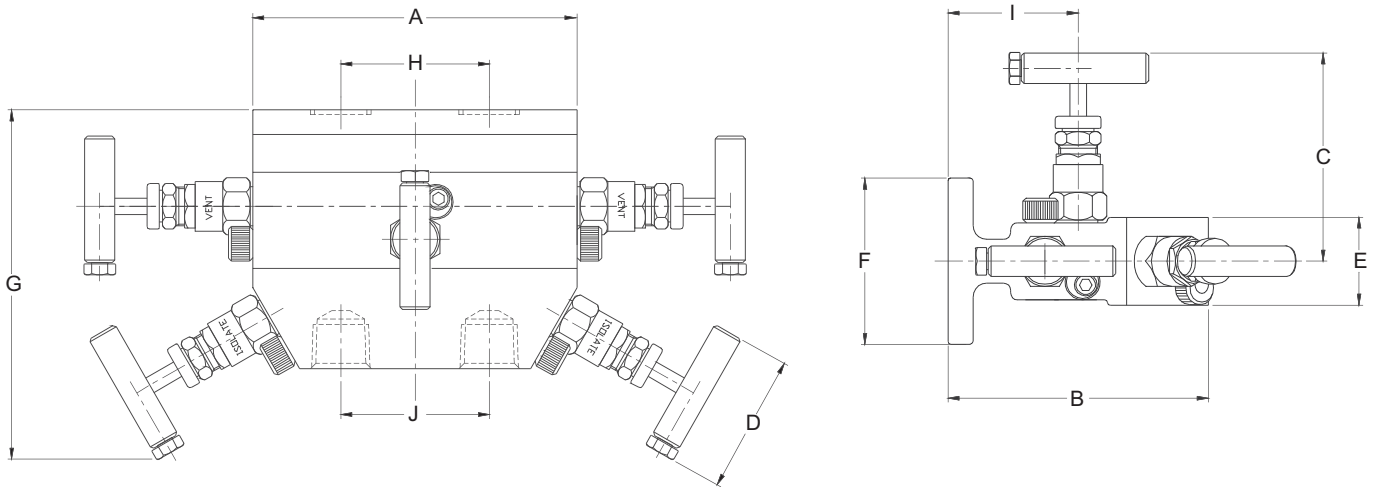


Note: This product comes with bolt pack, spare seals.
Valve vent plugs are supplied as standard

Direct mounted five-valve manifold, instrument mount to pipe connection. Having a "T" section body format allows a reasonable space envelope between the instrument and process lines. The 5VD offers two isolation valves, two vent valves and one equalising valve. Supplied with bolt pack and spare seals. This elongated 5 valve manifold offers all the features of Alco's high integrity needle valve head design incorporated in one common instrument manifold block. Other options such as lockable vent valves & hand wheel are available.

Design Features

- All valves have 2-piece non-rotating hardened (17-4PH) tips as standard.
- Bubble tight shut off.
- Positive no slack stem action.
- Unique bonnet locking cam.
- Metal to metal body bonnet seal for high pressure and high temperature use.
- Base mounting holes to allow fixing to enclosure or mounting boss.
- Supplied with bolt pack and extra PTFE seals.
- Repair / service kit available to extend field life further.
- Temperature range -46°C to 230°C (427°C with GP option). (Pressures may vary)
- Ingress seals fitted as standard.
- Direct mounting to instruments.
- Available in 316 Stainless Steel, Monel, Duplex & other exotic materials.
- Full material traceability.
- 54mm (2 1/8") instrument centres.
- Material of construction can be supplied to meet the requirements of NACE MR-01-75.



Part Numbers

St / St Part No.	Connections Size	A	B	C	D	E (OPEN)	F	G	H	I	J	Weight (kgs)
5VD4NS-O	2 x 1/2" NPT female x direct mount, 2 x 1/4" NPT vents	118	94	75	51	32	60	127	54	47	54	2.7

Packing materials: RTFE (standard) graphoil option -GP i.e. 3VBDD4NS-GP
Additional purge ports located on top face add -PP i.e. 3VBDD4NS-PP

Dims are in mm (appx)
See technical section for important additional valve data.