

5VBD Series Needle Manifold - Oil

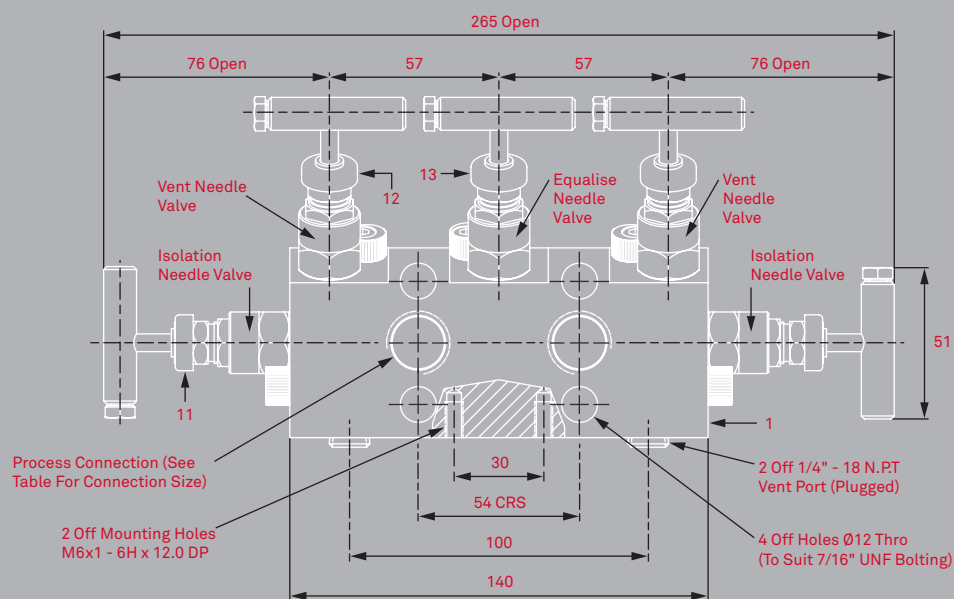
Overview

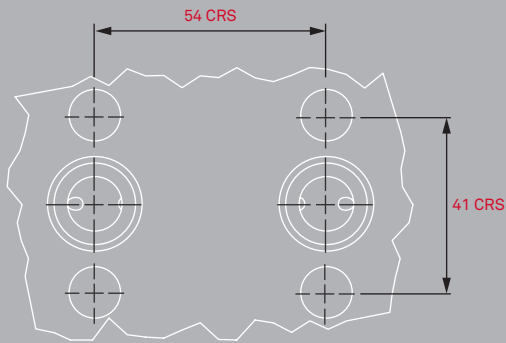
Direct Mounted 5 Valve Needle Manifold 6,000 PSI

Direct style block mounted 5 valve manifold, instrument mount to pipe connection. Offering two isolation valves, two vent valves and one equalising valve (see attached drawing). Used in differential pressure transmitters and static instrument applications. Standard 2 x 1/2" inlet x 2 x 1/2" outlet all on 54mm instrument centres with 2 x 1/4" vent port. Incorporating all the standard long service life features of the standard 'N' series needle valve, multi-ring piston style packing, back sealing facility. Mounting holes supplied as standard for wall or bracket mounting.

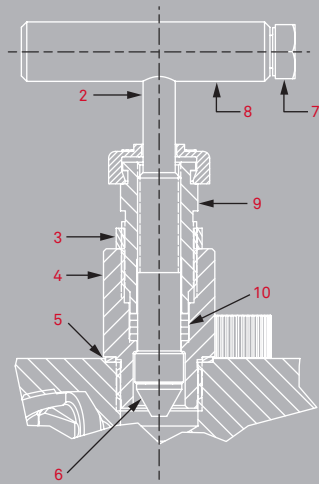
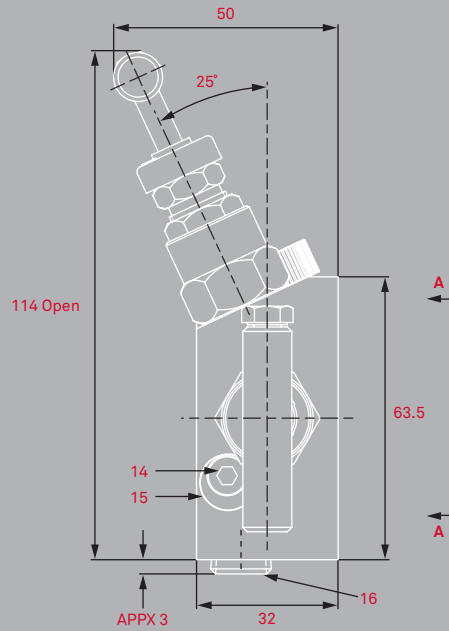
Design Features

- All valves have 2-piece non-rotating hardened (17-4PH) tips as standard
- Positive no slack stem action
- Bubble tight shut off
- Supplied with bolt pack and PTFE seals as standard
- Metal to metal body bonnet seal for high pressure and high temperature use
- Unique bonnet locking cam
- Available in 316/316L
- Base mounting holes to allow fixing to enclosure or mounting boss
- Temperature range -40°C to 230°C
- 54mm (2 1/8") instrument centres
- Full material traceability
- Oil configuration
- Repair/service kit available to extend field life further
- Materials of construction supplied to meet the requirements of NACE MR 0175



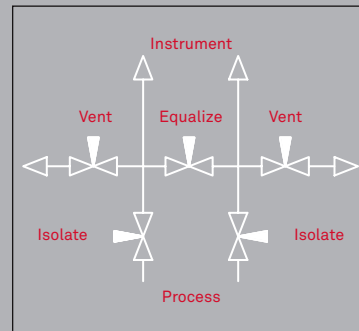


Direct Mount Instrument Connection Detail A-A



Needle Valve Details

Flow Diagram



Components Key

Item No.	Description	Material	Quantity
1	VALVE BODY	A479 UNS S31600	1
2	NEEDLE STEM	A479 UNS S31600	5
3	GLAND LOCKNUT	UNS S31600	5
4	BONNET HOUSING	A479 UNS S31600	5
5	BONNET SEAL	UNS S31600	5
6	VALVE TIP	A564 UNS S17400	5
7	HANDLE BOLT	A4 ST/ST	5
8	"T" HANDLE	UNS S31600	5
9	GLAND ADJUSTER	UNS S31600	5
10	PACKING	RTFE	20
11	ISOLATE DUST CAP	PVC	2
12	VENT DUST CAP	PVC	2
13	EQUALISE DUST CAP	PVC	1
14	CAM SCREW	A4 ST/ST	5
15	LOCKING CAM	UNS S31600	5
16	BLANK PLUG	A479 UNS S31600	2

Dimensions shown are in metric mm

Part no. 5VBD4NS-TM-O Connection size 1/2" NPT Bore 3 CV 0.4 Weight 2.4 Kg

5VBD Series Needle Manifold - Gas

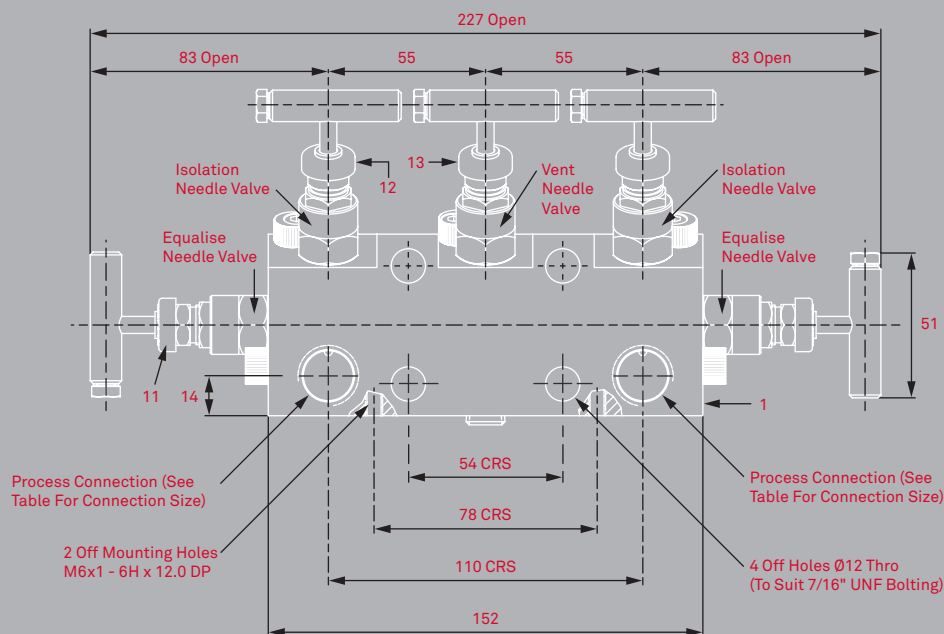
Overview

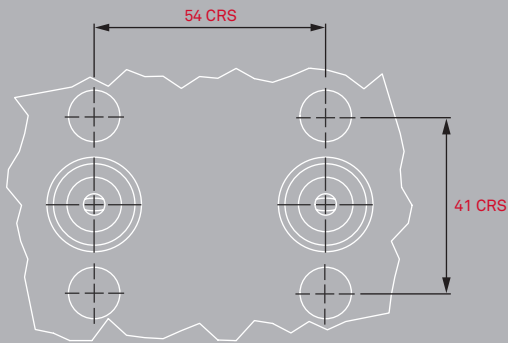
Direct Mounted 5 Valve Needle Manifold 6,000 PSI

Direct style block mounted 5 valve manifold, instrument mount to pipe connection. Offering two isolation valves, one vent valve and two equalising valves (see attached drawing). Used in differential pressure transmitters and static instrument applications. Standard 2 x 1/2" inlet x 2 x 1/2" outlet all on 54mm instrument centres with 2 x 1/4" vent port. Incorporating all the standard long service life features of the standard 'N' series needle valve, multi-ring piston style packing, back sealing facility. Mounting holes supplied as standard for wall or bracket mounting.

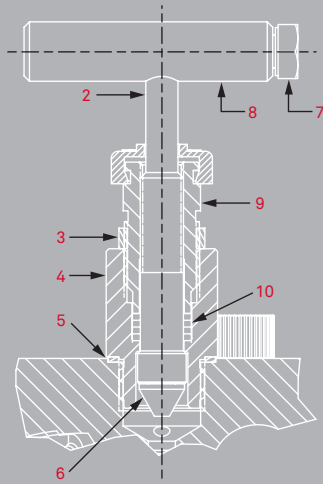
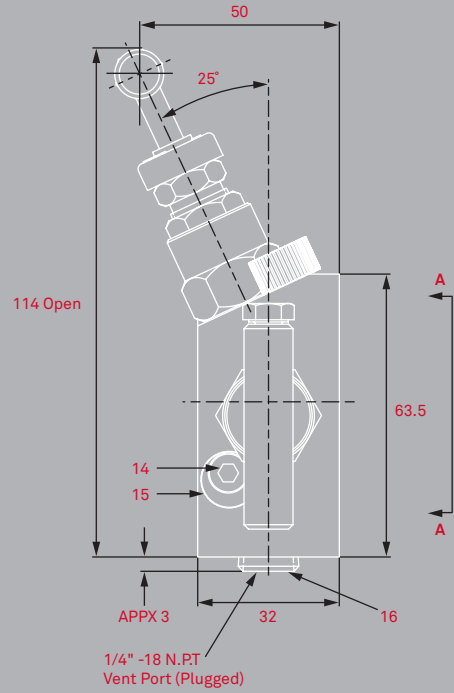
Design Features

- All valves have 2-piece non-rotating hardened (17-4PH) tips as standard
- Positive no slack stem action
- Bubble tight shut off
- Supplied with bolt pack and PTFE seals as standard
- Metal to metal body bonnet seal for high pressure and high temperature use
- Unique bonnet locking cam
- Available in 316/316L
- Base mounting holes to allow fixing to enclosure or mounting boss
- Temperature range -40°C to 230°C
- 54mm (2 1/8") instrument centres
- Full material traceability
- Gas configuration
- Repair/service kit available to extend field life further
- Materials of construction supplied to meet the requirements of NACE MR 0175



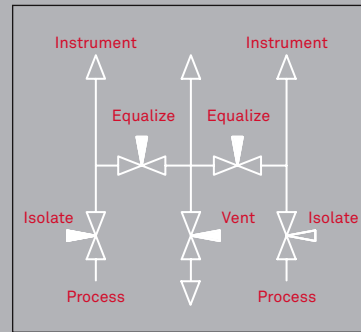


Direct Mount Instrument Connection Detail A-A



Needle Valve Details

Flow diagram



Components Key

Item No.	Description	Material	Quantity
1	NEEDLE MANIFOLD	A479 UNS S31600	1
2	NEEDLE STEM	A479 UNS S31600	5
3	GLAND LOCKNUT	UNS S31600	5
4	BONNET HOUSING	A479 UNS S31600	5
5	BONNET SEAL	UNS S31600	5
6	VALVE TIP	A564 UNS S17400	5
7	HANDLE BOLT	A4 ST/ST	5
8	"T" HANDLE	UNS S31600	5
9	GLAND ADJUSTER	UNS S31600	5
10	PACKING	RTFE	20
11	EQUALISE DUST CAP	PVC	2
12	ISOLATE DUST CAP	PVC	2
13	VENT DUST CAP	PVC	1
14	CAM SCREW	A4 ST/ST	5
15	LOCKING CAM	UNS S31600	5
16	BLANK PLUG	A479 UNS S31600	1

Dimensions shown are in metric mm

Part no. 5VBD4NS-TM-G Connection size 1/2" NPT Bore 3 CV 0.4 Weight 2.4 Kg